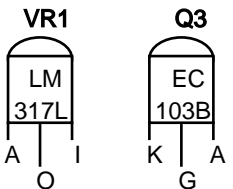
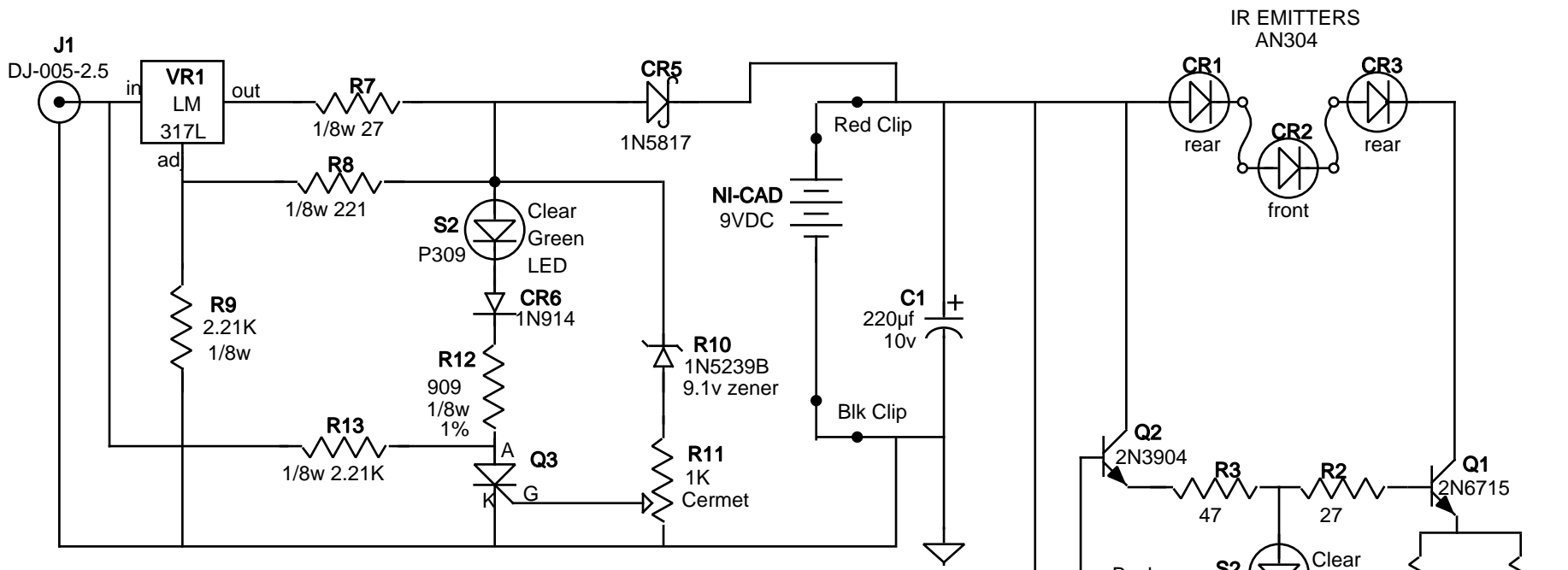


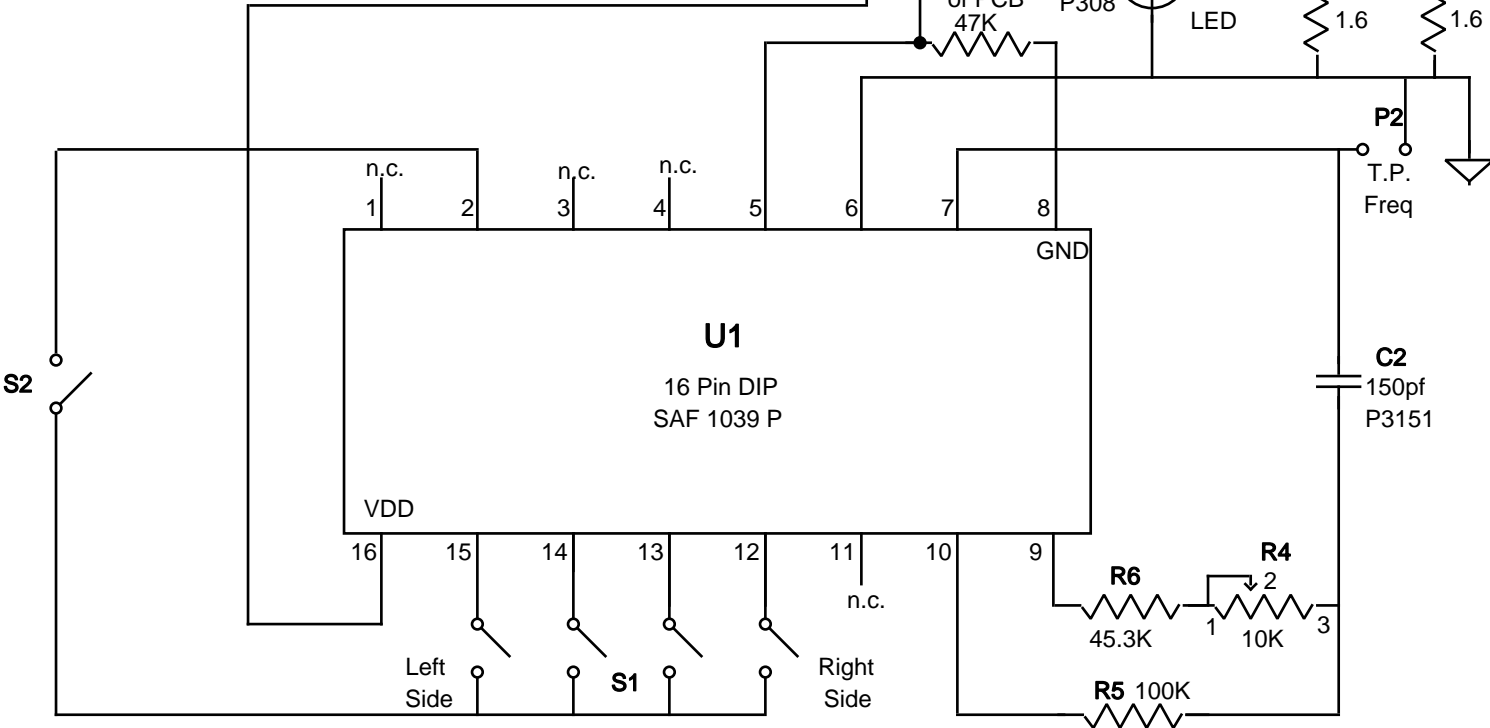
* Use with 1474 Pre-Amp

TBR-4

11/8/87



1. Resistors with three significant digits are 1% tolerance.
2. Resistors are 1/4W except where "1/8" appears; then 1/8W



TBT-4

10/6/90